

Spare Parts List

Tortoise III

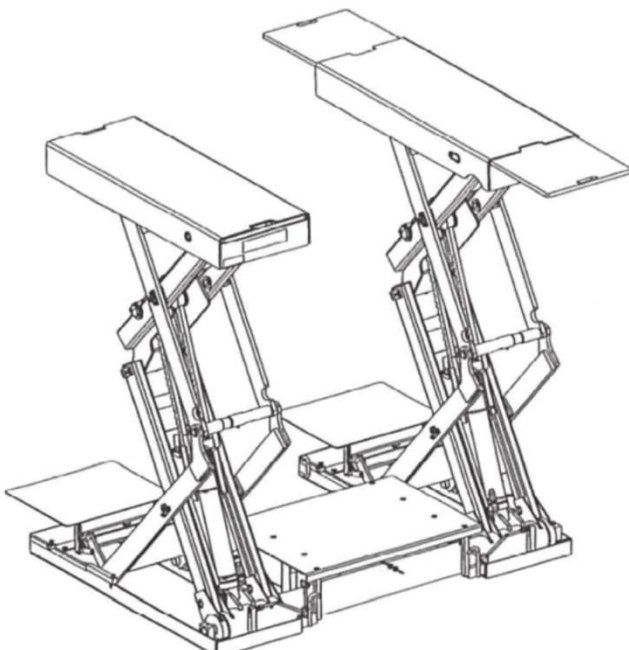
Fantas

Model BSC3200KU

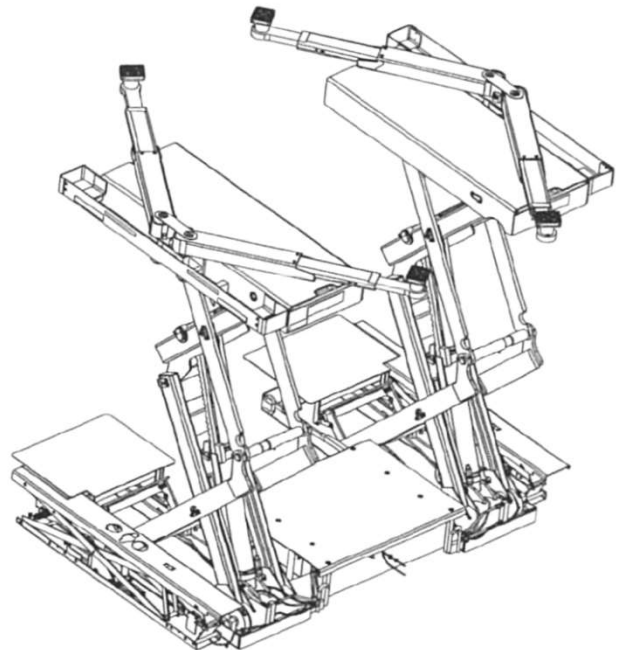
Model BSC3200KUV

(Without Pricing)

BSC3200KU



BSC3200KUV



Note :

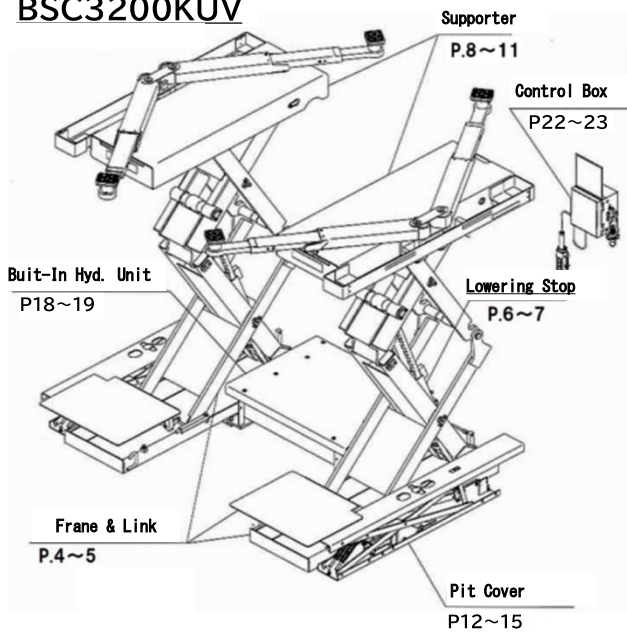
Ask Bishamon for Export Model Info. of Hyd. Unit and Electric Components. Serial No. Info. would be Required. Some parts Info. shown in this Parts List could be only for Japanese market.

Contents

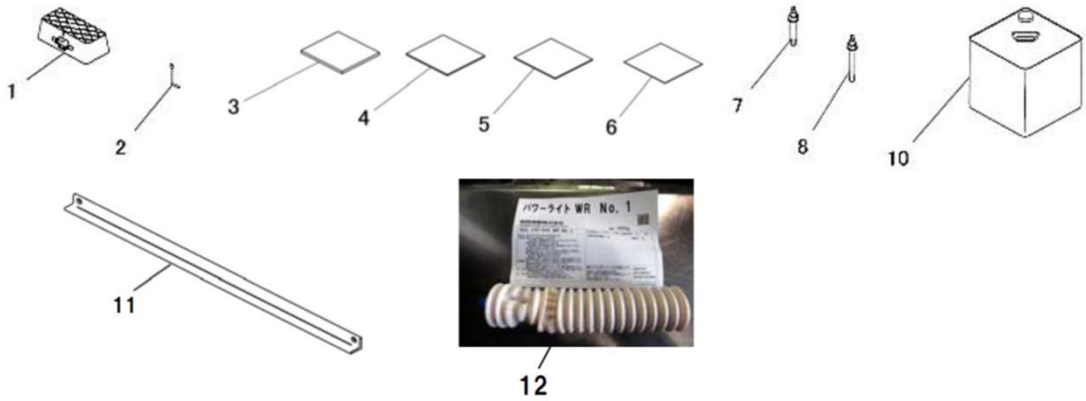
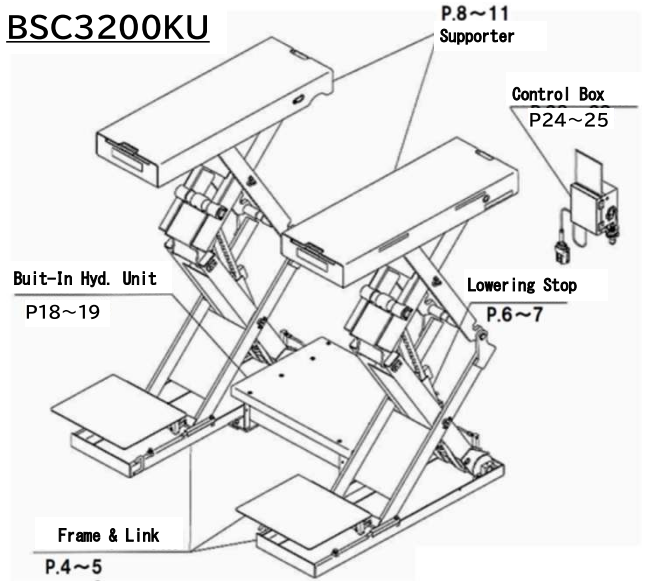
	(Page)
Contents	1)
1 Overall View	2) ~ 3)
2 Frame and Link	4) ~ 5)
3 Lowering Stop	6) ~ 7)
4 Supporter	8) ~ 11)
5 Pit Cover	12) ~ 15)
6 Air Cylinder for Arm Lifting and Lowering	16) ~ 17)
7 Built-In Hyd. Unit	18) ~ 19)
8 Sub Plate Assy	20) ~ 21)
9 Control Box (Model BSC3200KUV)	22) ~ 23)
10 Control Box (Model BSC3200KU)	24) ~ 25)
11 Option	26) ~ 27)

Overall View

BSC3200KUV



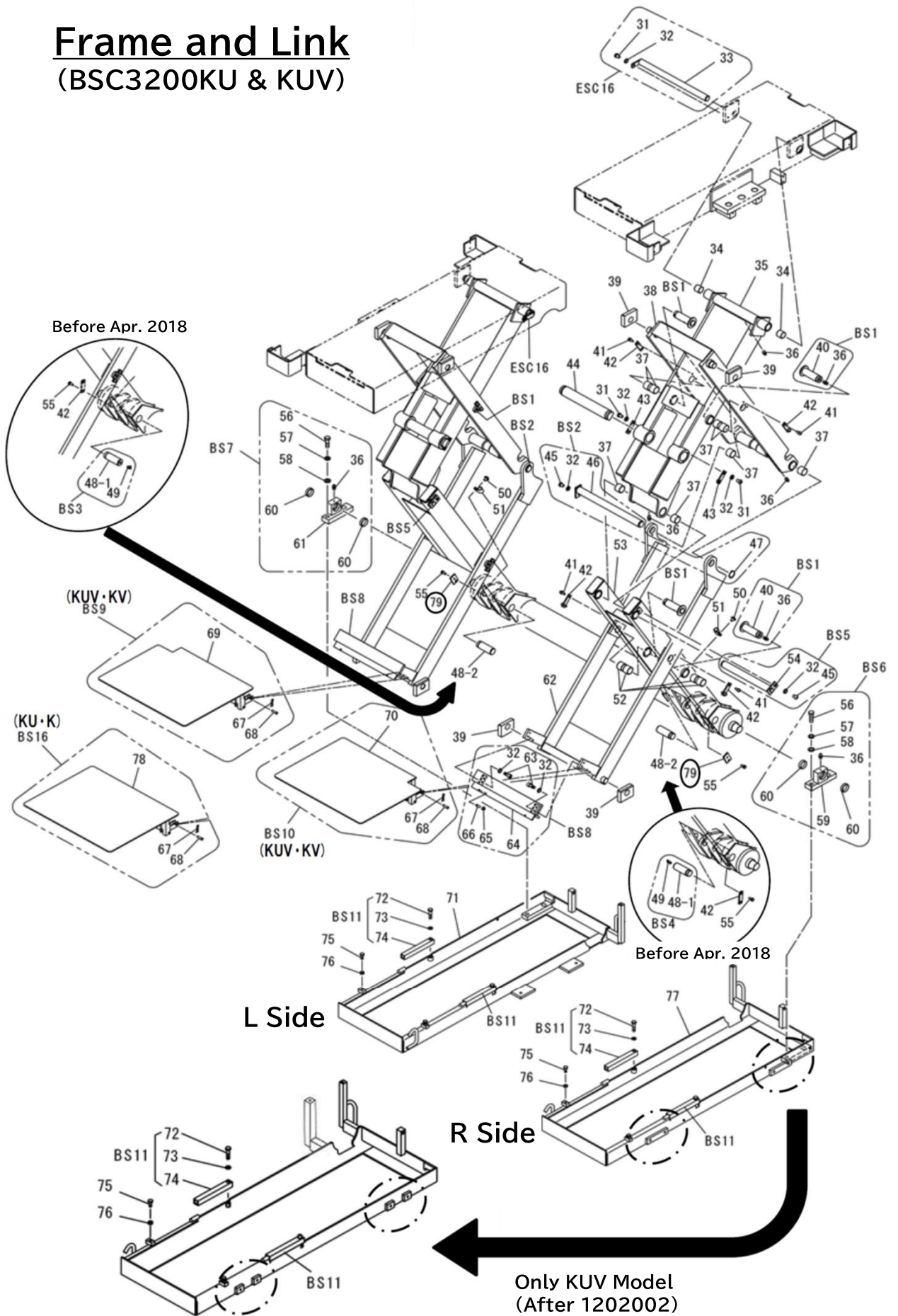
BSC3200KU



Overall View (Hyd. Unit Built-In Model)

Ill. No.	Parts No.	Parts Name	Standard	Change Date & Note	Qty/Unit	Price/ea.
1-1	51313020	Side Sill Block	100X200X70	Before March 2012	4	
1-2	11524960	Side Sill Block	100X140X70	After 1204001	4	
2	11500060	Lowering Valve Hook			1	
3	11350070	Spacer 6.0			15	
4	11350080	Spacer 3.0			15	
5	11350090	Spacer 1.6			15	
6	11350100	Spacer 0.8			15	
7	91011612	Anchor Bolt	AAC-1612		4	
8	91011616	Anchor Bolt	AAC-1615		2	
10	50564851	Hyd. Turbine Oil	13L		1	
11	11531980	Pull Up Fixture		After 1206001	1	
12	39000576	Powerlite Grease	WRNo.1 (400g)		1	

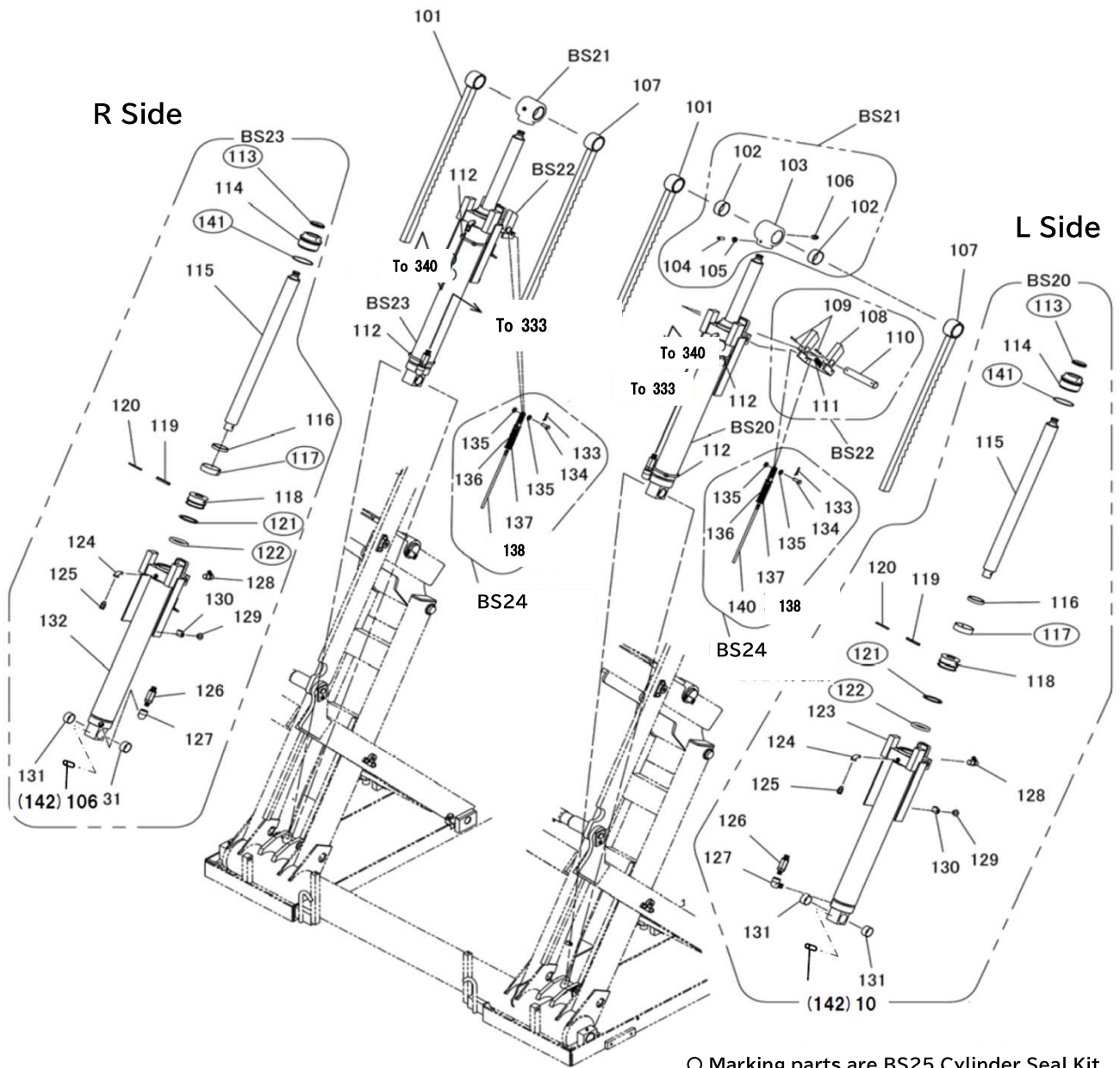
Frame and Link (BSC3200KU & KUV)



Frame & Link (Hyd. Unit Built-In Model)

Ill.No.	Parts No.	Parts Name	Standard	Change Date & Note	Qty/Unit		Price/ea.
					KUV	KU	
BS1	00465560	Center Shaft B Assy	(36 - 40)		8	8	
BS2	00465600	Link Fulcrum Shaft C Assy	(32 - 45~47)		2	2	
BS3	00465680	Cylinder Fulcrum Shaft B Assy	(48 - 49)	Before April 2018 Replace with 48-2	1	1	
BS4	00465540	Cylinder Fulcrum Shaft A Assy	(48 - 49)	Before April 2018 Replace with 48-2	1	1	
BS5	00465640	Link Fulcrum Shaft D Assy	(32 - 45 - 54)		2	2	
BS6	00465500	Bearing R Assy	(36 - 56~60)		1	1	
BS7	00465700	Bearing L Assy	(36 - 56~58 - 60 - 61)		1	1	
BS8-1	00465380	S Slide Assy	(32 - 63~66)	Before Jan. 2014	2	2	
BS8-2	00465381	S Slide Assy	(32 - 63~66)	After 1402001	2	2	
BS9-1	00467661	Slide Link Plate L Assy	(67~69)	Before 1805001	1	N/A	
BS9-2	70467660	Slide Link Plate L Assy	(67~69)	After 1805002	1	N/A	
BS10-1	00467581	Slide Link Plate R Assy	(67 - 68 - 70)	Before 1805001	1	N/A	
BS10-2	70467580	Slide Link Plate R Assy	(67 - 68 - 70)	After 1805002	1	N/A	
BS11-1	00465100	Turnover Prevention Bar Assy	(72~74)	Before Jan. 2014	4	4	
BS11-2	00465101	Turnover Prevention Bar Assy	(72~74)	After 1402001	4	4	
BS16	00469781	Slide Link Plate Assy	(67 - 68 - 78)		N/A	2	
ESC16	00432520	F Top Pin Assy	(31~33)		2	2	
31	91040812	Hex Socket Head Cap Bolt	HSR0812		10	10	
32	90930508	Spring Washer	SW08SE		22	22	
33	00432540	F Top Pin			2	2	
34	81703030	Dry Bearing	70B-3030		4	4	
36	80827006	Grease Fitting	GNAM6X0.75		16	16	
37	81735393	Dry Bearing	70B-3530		16	16	
39	11525420	Shoe			8	8	
40	00465580	Center Shaft B			8	8	
41	90760820	Hex Socket Head Cap Bolt	HSBS0820		16	16	
42	11525460	Key Plate	After 1805002	Qty was changed	10	8	
43	11532320	Key Plate C			4	4	
44	11532300	Piston Head Pin			2	2	
45	91040811	Hex Socket Head Cap Bolt	HSR0810		4	4	
46	00465620	Link Fulcrum Shaft C			2	2	
47	80845022	Snap Ring	RR035		2	2	
48-1	11533240	Cylinder Fulcrum Shaft		Before Apr. 2018	2	2	
48-2	11533241	Cylinder Fulcrum Shaft		After 1805001	2	2	
49	80827041	Grease Fitting	GNC1/8		2	2	
50	90750508	Pan Head Screw	MSRP0508E		2	2	
51	80825555	Nylon Clamp	3325		2	2	
52	81773530	Dry Bearing	LFB-3530		8	8	
54	00465660	Link Fulcrum Shaft D			2	2	
55	90890820	Hex Bolt with Washer	HBS0820SE		4	4	
56	90911650	Hex Bolt	HB1650SE		2	2	
57	90930516	Spring Washer	SW16SE		2	2	
58	90930716	Flat Washer	PW16SE		2	2	
59	00465520	Bearing R			1	1	
60	81774012	Drymet LF Bushing	LFB-4012		4	4	
61	00465720	Bearing L			1	1	
63	90920820	Hex Socket Head Cap Bolt	HSB0820		8	8	
64-1	00465400	S Slide		Before Jan. 2014	2	2	
64-2	00465401	S Slide		After 1402001	2	2	
65	90930306	Hex Nut	HNO6 (3) SE		4	4	
66	90960620	Hex Socket Head Screw	HSS0620		4	4	
67	90654168	Snap Pin			4	4	
68	11317380	Crank Pin			4	4	
69-1	00467681	Slide Link Plate L		Before 1805001	1	N/A	
69-2	00467682	Slide Link Plate L		After 1805002	1	N/A	
70-1	00467601	Slide Link Plate R		Before 1805001	1	N/A	
70-2	00467602	Slide Link Plate R		After 1805002	1	N/A	
72-1	90911250	Hex Bolt	HB1250SE	Before Jan. 2014	4	4	
72-2	90921050	Hex Socket Head Cap Bolt	HSB1050	After 1402001	4	4	
73-1	90930512	Spring Washer	SW12SE	Before Jan. 2014	4	4	
73-2	90930510	Spring Washer	SW10SE	After 1402001	4	4	
74-1	11532280	Turnover Prevention Bar		Before Jan. 2014	4	4	
74-2	11532281	Turnover Prevention Bar		After 1402001	4	4	
75	90911025	Hex Bolt	HB1025SE		4	4	
76	90930110	Hex Nut	HN10SE		4	4	
78	00469801	Slide Link Plate			N/A	2	
79	11784220	Link Center Shaft Stopper		After 1805001	2	2	

Lowering Stop (BSC3200KU & KUV)



○ Marking parts are BS25 Cylinder Seal Kit

Lowering Stop (Hyd. Unit Buil-In Model)

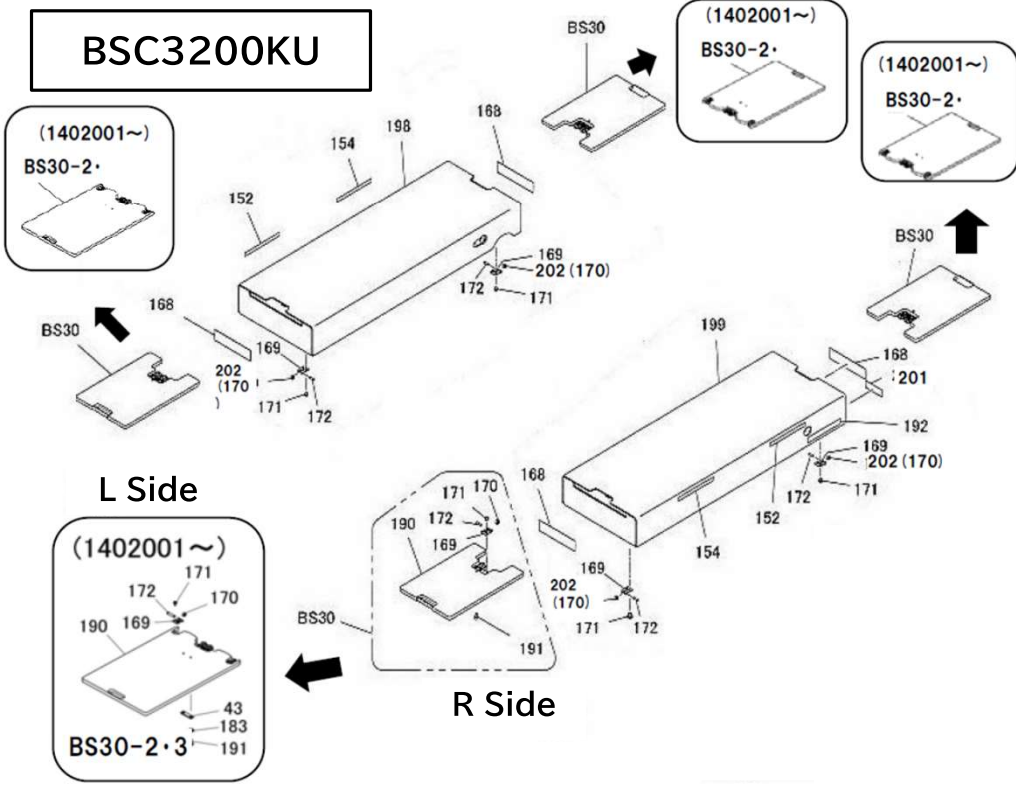
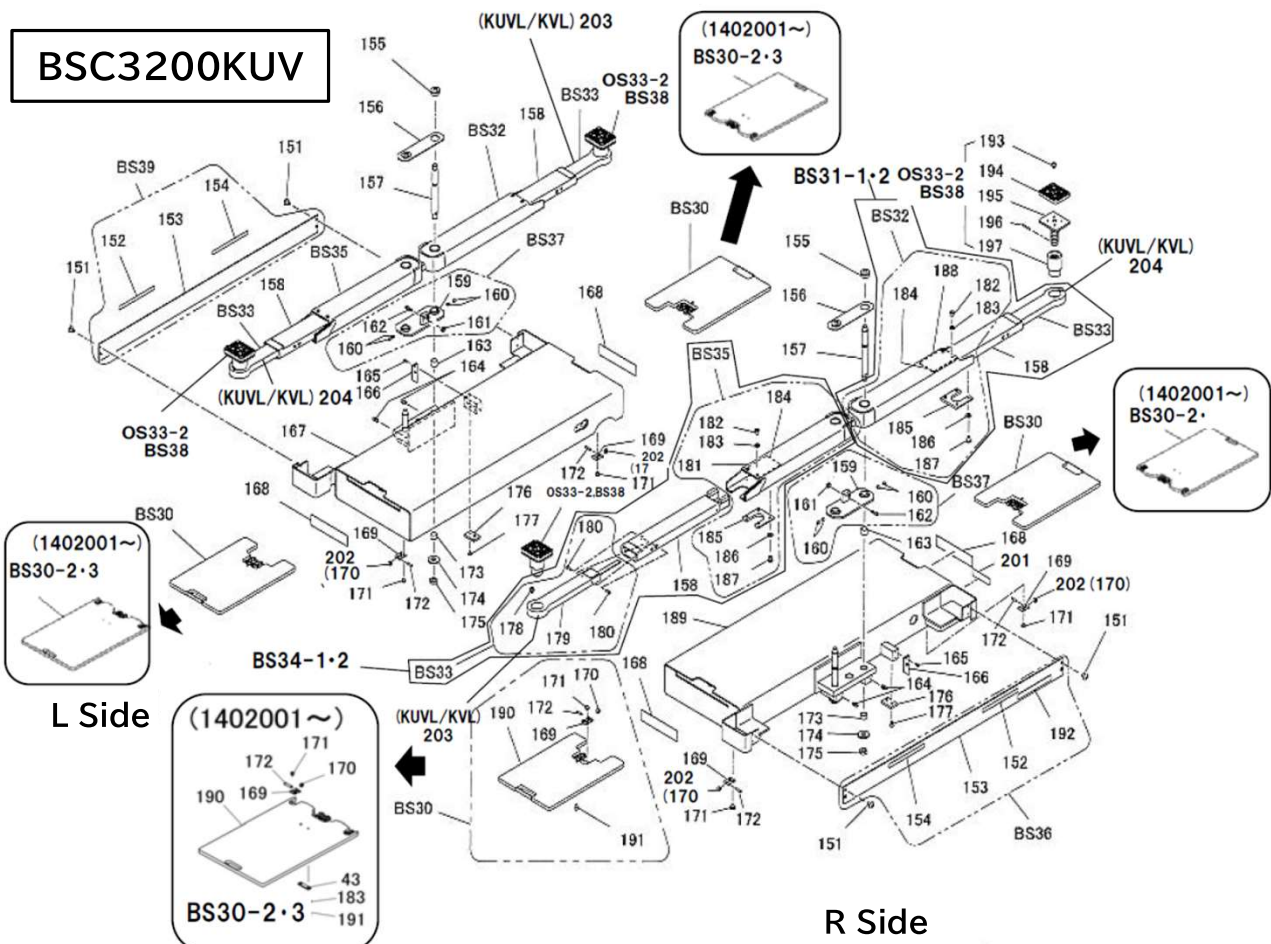
Ill. No.	Parts No.	Parts Name	Standard	Change Date & Note	Qty/Unit	Price/ea.
BS20	00465780	L Cylinder Assy	(113~131 · 141)		1	
BS21	00465900	Lift Piston Head Assy	(102~106)		2	
BS22	00465920	Lowering Stop Hook Assy	(108~111)		2	
BS23	00465960	R Cylinder Assy	(113~122 · 124~132 · 141)		1	
BS24	00466760	S Control Cable Assy	(133~138 · 345 · 346 · 350)		2	
BS25	00467880	Cylinder Seal Kit	(113 · 117 · 121 · 122 · 141)		2	
101	00465860	Lowering Stop Rack R			2	
102	81775025	Drymet LF Bushing	LFB5025		4	
103	11533520	Lift Piston Head			2	
104	90961030	Hex Socket Head Cap Screw	HSS1030		2	
105	90930310	Hex Nut	HN10 (3) SE		2	
106	80827006	Grease Fitting	GNAM6X0.75	Qty was changed after 1806109	2→4	
107	00465880	Lowering Stop Rack L			2	
108	00160820	Lowering Stop Hook			2	
109	90980540	Roll Pin	SRP0540		4	
110	11361020	Hook Shaft			2	
111	51307220	Safety Spring			2	
112	80825296	Plastic Tie	CV-350		4	
113	80803045	Dust Seal	SDR-45		2	
114	11533360	Cylinder Cover			2	
115	11533340	Piston Rod			2	
116	11533380	Cylinder Spacer			2	
117	80804070	Wearing	SW-70		2	
118	11533400	Piston			2	
119	90980860	Roll Pin	SRP0860		2	
120	90980560	Roll Pin	SRP0560		2	
121	80806770	Back Up Ring	TC-GPY-70		2	
122	80802770	U Packing	GPY-70		2	
123	N/A	Cylinder L	Replace by BS20		1	N/A
124	80810701	Male & Female Elbow	STE1/8SE		2	
125	80817208	Half Union	ZH-081		2	
126	80818674	Fuse Valve	FS-3-F-7-0		2	
127	80813103	Male & Female Elbow	HS-BC-3/8		2	
128	80827041	Grease Fitting	GNC1/8		2	
129	90750508	Pan Head Screw	MSRP0508SE		2	
130	80825555	Nylon Clamp	3325		2	
131	81773520	Drymet LF Bushing	LFB3520		4	
132	N/A	Cylinder R	Replace by BS23		1	N/A
133	90972516	Cotter Pin	SP02. 515SE		2	
134	11332620	Cable End Pin			2	
135	90930706	Flat Washer	PW06SE		4	
136	51307240	Cable Return Spring			2	
137	11361040	Return Spring B			2	
138	00161040	S Control Cable Assy			2	
141	80800130	O Ring	G70		2	
142	80827021	Grease Fitting	GNA1/8		2	

Supporter (Hyd. Unit Buil-In Model)

Ill. No.	Parts No.	Parts Name	Standard	Change Date & Note	Qty/Unit		Price/ea.
					KUV	KU	
BS30-1	00466140	Slide Plate Assy	(169~172・190-2・191-1)	Before Jan. 2014	4	4	
BS30-2	00466141	Slide Plate Assy	(43・169~172・190-3・191-2)	1402001~Apr. 2018	4	4	
BS30-3	70466142	Slide Plate Assy	(169~172・190-4・191-2)	After 1805001	4	4	
BS31-1	00466180	Arm FAS	(BS32・BS33・158)	Before 1012011	2	N/A	
BS31-2	00466181	Arm FAS	(BS32・BS33・158)	1212002~1805001 BS31-3 after 1805002	2	N/A	
BS31-3	00466182	Arm Assy		After 1805002	4	4	
BS32-1	00466200	Lift Arm FAS	(182~188)	Before 1012011	2	N/A	
BS32-2	00466201	Lift Arm FAS	(182~188)	1212012~1805001 BS32-3 after 1805002	2	N/A	
BS32-3	00466202	Lift Arm Assy		After 1805002	4	N/A	
BS33-1	00466260	Supporter Base Assy	(178~180)	Before 1805001	4	N/A	
BS33-2	00466261	Supporter Base Assy	(178~180)	After 1805002	4	N/A	
BS34-1	00466300	Arm R Assy	(BS33・BS35・158)	Before 1012011	2	N/A	
BS34-2	00466301	Arm R Assy	(BS33・BS35・158)	1212002~1805001 BS31-3 after 1805002	2	N/A	
BS35-1	00466320	Lift Arm R Assy	(181~187)	Before 1012011	2	N/A	
BS35-2	00466321	Lift Arm R Assy	(181~187)	1212012~1805001 BS32-3 after 1805002	2	N/A	
BS36-1	00466360	Arm Cover R Assy	(152~154・192)	Before 1012011	1	N/A	
BS36-2	00466361	Arm Cover R Assy	(152~154・192)	After 1012012	1	N/A	
BS37-1	00466380	Coupler Lower Connector Assy	(159~162)	Before 1805001	2	N/A	
BS37-2	70466381	Coupler Lower Connector Assy	(159~162)	After 1805002	2	N/A	
OS33-2	00100041	Frame Attachment LB Assy		Before 1103010	4	N/A	
BS38	00467860	Adjustable Supporter MB Assy	(193~197)	After 1103011	4	N/A	
BS39-1	00466440	Arm Cover L Assy	(152~154)	Before 1012011	1	1	
BS39-2	00466441	Arm Cover L Assy	(152~154)	After 1012012	1	1	
43	11532320	Key Plate C		After 1402001	4	4	
151	91030610	Screw		MST0610SE	8	N/A	
152	20000766	CG Label F			2	2	
153-1	N/A	Arm Bar	Replace by BS36-1, 39-1	Before 1012011	2	N/A	N/A
153-2	N/A	Arm Bar	Replace by BS36-2, 39-2	After 1012012	2	N/A	N/A
154	20000767	CG Label R			2	2	
155	11157580	Coupler Upper			4	N/A	
156	11157600	Coupler Upper Connector			2	N/A	
157-1	11533600	Arm Pin	L=281mm	Before 1805001	4	N/A	
157-2	11533601	Arm Pin	L=276.5mm	After 1805002	4	N/A	
158-1	00466240	Slide Arm		Before 1805001	4	N/A	
158-2	00466241	Slide Arm		After 1805002	4	N/A	
159-1	00175400	Coupler Lower Connector		Before 1805001	2	N/A	
159-2	00175401	Coupler Lower Connector		After 1805002	2	N/A	
160-1	90960607	Hex Socket Head Cap Screw	HSS0606 Qty was changed after 1805001		8→4	N/A	
160-2	90960602	Hex Socket Head Cap Screw	HSS0606	After 1805002	4	N/A	
161	90930308	Hex Nut	HN08 (3) SE		4	N/A	
162	90920830	Hex Socket Head Cap Bolt	HSB0830		4	N/A	
163	81772525	Drymet LF Bushing	LFB-2525		4	N/A	
164	80827006	Grease Fitting	GNAM6X0.75		4	N/A	
165	90760615	Hex Socket Head Cap Bolt	HSBS0615		4	N/A	
166	11533560	Push Plate			2	N/A	
167	N/A	Supporter L			1	N/A	N/A
168	52611403	Bishamon Label			4	4	

Supporter (BSC3200KU & KUV)

Note : (1402001~) means "After 1402001(Feb. 2014)"

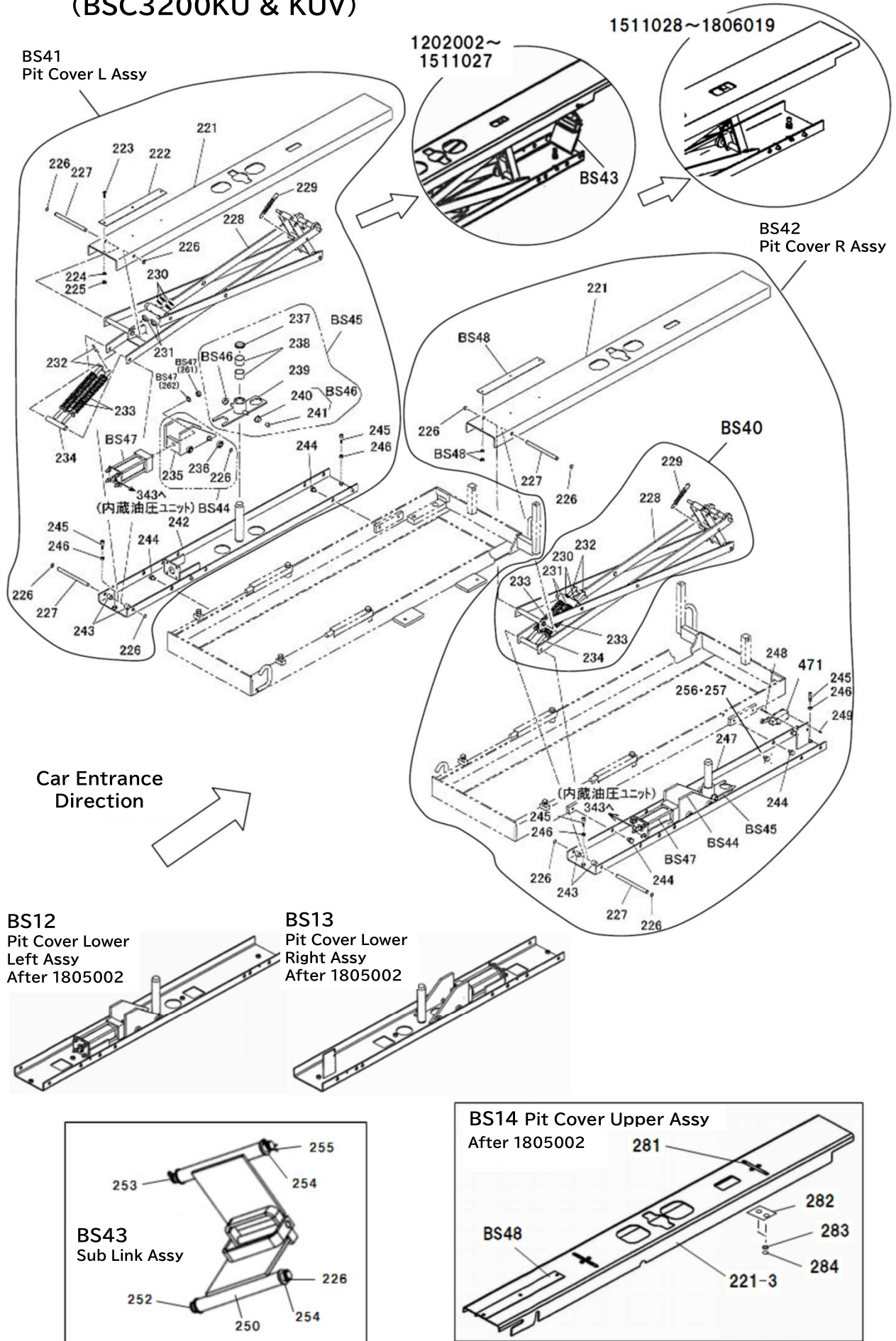


Supporter (Hyd. Unit Buil-In Model)

Ill. No.	Parts No.	Parts Name	Standard	Change Date & Note	Qty/Unit		Price/ea.
					KUV	KU	
169	11317681	Slide Roller Spring		Qty was changed after 1402001	16→24		
170	11317660	Slide Roller			16	16	
171	90800608	Pan Head Screw	MSRS0608SE	Qty was changed after 1402001	32→48		
172	11317640	Spring Shaft		Qty was changed after 1402001	16→24		
173	81772520	Drymet LF Bushing	LFB-2520		4	N/A	
174-1	11533580	Arm Washer	T8.5, OD50	Before 1212001	4	N/A	
174-2	11533581	Arm Washer	T12.5, OD50	1212002~1805001	4	N/A	
174-3	11533582	Arm Washer	T7.5, OD50	1805002~1909093	4	N/A	
174-4	11533583	Arm Washer	T7.5, OD55	After 1909094	4	N/A	
175	90932822	Hex U Nut	HUN20 (3) SE		4	N/A	
176	11042260	Supporter Stop Rubber			2	N/A	
177	91000815	Hex Socket Head Cap Bolt	HSF0815		4	N/A	
178	90760610	Hex Socket Head Cap Bolt	HSBS0610		4	N/A	
179-1	00466280	Supporter Base		Before 1805001	4	N/A	
179-2	00466281	Supporter Base		After 1805002	4	N/A	
180	90920819	Hex Socket Head Cap Bolt	HSB0815D		8	N/A	
181-1	00466340	Lift Arm R		Before 1012011	2	N/A	
181-2	00466341	Lift Arm R		1012012~1805001	2	N/A	
181-3	00466222	Lift Arm		After 1805002	4	N/A	
182	90920809	Hex Socket Head Cap Bolt	HSB0812		8	N/A	
183	90930508	Spring Washer	SW08SE	Qty was changed after 1402001	8→16	N/A	
184-1	11533980	Slide Stopper		Before 1805001	4	N/A	
184-2	11533981	Slide Stopper		After 1805002	4	N/A	
185-1	11590280	Slide Shoe S		Before 1805001	4	N/A	
185-2	11533990	Slide Shoe		After 1805002	4	N/A	
186	90930708	Flat Washer	PW08SE		16	N/A	
187	90940812	Pan Head Screw	MSR0812SE		16	N/A	
188-1	00466220	Lift Arm F	181-3 after 1805002	1012012~1805001	2	N/A	
188-2	00466221	Lift Arm F			2	N/A	
189	N/A	Supporter R			1	N/A	N/A
190-1	N/A	Slide Plate	Replace by BS30-1	Before 1303030	4	4	N/A
190-2	11533941	Slide Plate		1303031~Jan. 2014	4	4	
190-3	11533942	Slide Plate		1402001~Apr. 2018	4	4	
190-4	11533943	Slide Plate		After 1805002	4	4	
191-1	90920839	Hex Socket Head Cap Bolt	HSB1015D	Before Apr. 2014	4	4	
191-2	91040812	Hex Socket Head Cap Bolt	HSR0812	After 1402001	8	8	
192	11485210	Capacity Label			1	1	
193	90940810	Pan Head Screw	MSR0810SE		16	N/A	
194	50564212	Supporting Pad	(40X45)		4	N/A	
195	00100051	Adjustable Supporter LB			4	N/A	
196	90980430	Roll Pin	SRP0430		4	N/A	
197-1	11152441	Adjustable Ntu C		Before 1103010	4	N/A	
197-2	11535960	Adjustable Ntu M		After 1103011	4	N/A	
198	N/A	Suporter L			N/A	1	N/A
199	N/A				N/A	1	N/A
201	※	Serial Plate			1	1	
202	11034180	Roller		After 1402001	8	8	

Pit Cover

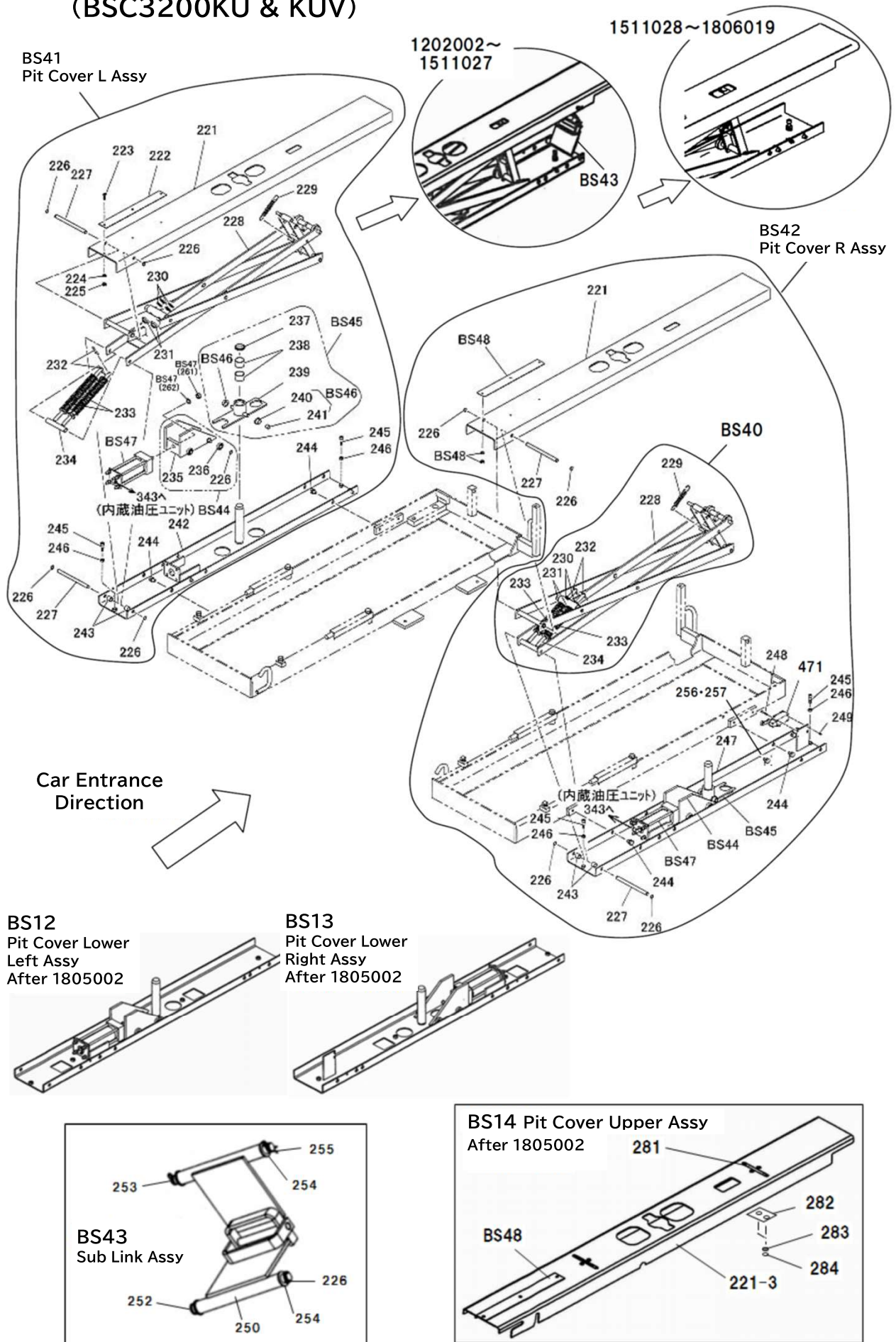
(BSC3200KU & KUV)



Pit Cover (Hyd. Unit Buil-In Model)

Ill. No.	Parts No.	Parts Name	Standard	Change Date & Note	Qty/Unit	Price/ea.
BS44-1	00467140	Slider Assy	(226 · 235 · 236-1)	Before 1212001	2	
BS44-2	00467141	Slider Assy	(226 · 235 · 236-2)	After 1212002	2	
BS45-1	00467200	Lift & Lower Guide Assy	(BS46 · 237~239-1)	Before 1212001	2	
BS45-2	00467201	Lift & Lower Guide Assy	(BS46 · 237~239-2)	1012012~1805001	2	
BS45-3	00467202	Lift & Lower Guide Assy		1805002~1909093	2	
BS45-4	00467203	Lift & Lower Guide Assy		After 1909094	2	
BS46	00467240	Guide Roller Assy	(240 · 241)		4	
BS47-1	00467260	Air Cylinder Assy	(261~277)	Before 1212001	2	
BS47-2	00467261	Air Cylinder Assy	(261~277)	1012012~1805001	2	
BS47-3	00467262	Air Cylinder Assy	(261~277)	After 1805002	2	
BS48	00467800	Cover Rail Assy	(222~225)		2	
BS41-1	70467020	Pit Cover L Assy	(174-2 · 343 · BS41-3)	Before 1212001	1	
BS41-2	70467021	Pit Cover L Assy		1202002~1511027	1	
BS41-3	70467022	Pit Cover L Assy		1511028~1805001	1	
BS41-4	70467023	Pit Cover L Assy		1805002~1909093	1	
BS41-5	70467024	Pit Cover L Assy		After 1909094	1	
BS42-1	70467340	Pit Cover R Assy	(174-2 · 343 · BS42-3)	Before 1212001	1	
BS42-2	70467341	Pit Cover R Assy	(174-2 · BS42-4)	1202002~1511027	1	
BS42-3	70467342	Pit Cover R Assy		1511028~1805001	1	
BS42-4	70467343	Pit Cover R Assy		1805002~1909093	1	
BS42-5	70467344	Pit Cover R Assy		After 1909094	1	
BS43	00467940	Sub Link Assy		1202002~1511027	2	
BS40-1	70467040	Pit Cover Link Assy	(228~234)	Before 1511027	2	
BS40-2	70467041	Pit Cover Link Assy	(228~234)	1511028~1805001	2	
BS40-3	70467042	Pit Cover Link Assy	(228~234)	After 1805002	2	
BS12	00467980	Pit Cover Lower L Assy		After 1805002	1	
BS13	00467990	Pit Cover Lower R Assy		After 1805002	1	
BS14-1	00467970	Pit Cover Upper Assy		1805002~1909093	2	
BS14-2	00467971	Pit Cover Upper Assy		After 1909094	2	
221-1	11534600	Pit Cover Upper		Before 1511027	2	
221-2	11534601	Pit Cover Upper		1511028~1805001	2	
221-3	N/A	Pit Cover Upper	Replace by BS14	1805002~1909093	2	N/A
221-4	N/A	Pit Cover Upper	Replace by BS14-2	After 1909094	2	N/A
222	11535900	Cover Rail			2	
223	80860412	Screw	SSF0412 Stainless		6	
224	90930504	Spring Washer	SW04SE		6	
225	90930104	Hex Nut	HNO4SE		6	
226	80845003	Snap Ring	RR012 Qty was changed after 1202002		16→20	
			RR012 Qty was changed after 1511028		20→16	
227	11534640	Pit Cover End Pin			4	
228-1	N/A	Pit Cover Link	Repalce by BS40	Before 1805001	2	N/A
228-2	N/A	Pit Cover Link	Repalce by BS40	After 1805002	2	N/A
229	11486240	Latch Spring			2	
230	N/A	Flat Washer (PW12SE)	Replace by BS40		8	N/A
231	N/A	Spring Seat	Repalce by BS40		4	N/A
232	N/A	Cotter Pin	Repalce by BS40	SP0535SE	4	N/A
233	N/A	Push Spring	Repalce by BS40	120312-01	4	N/A
234	N/A	Spring Guide	Repalce by BS40		2	N/A

Pit Cover (BSC3200KU & KUV)

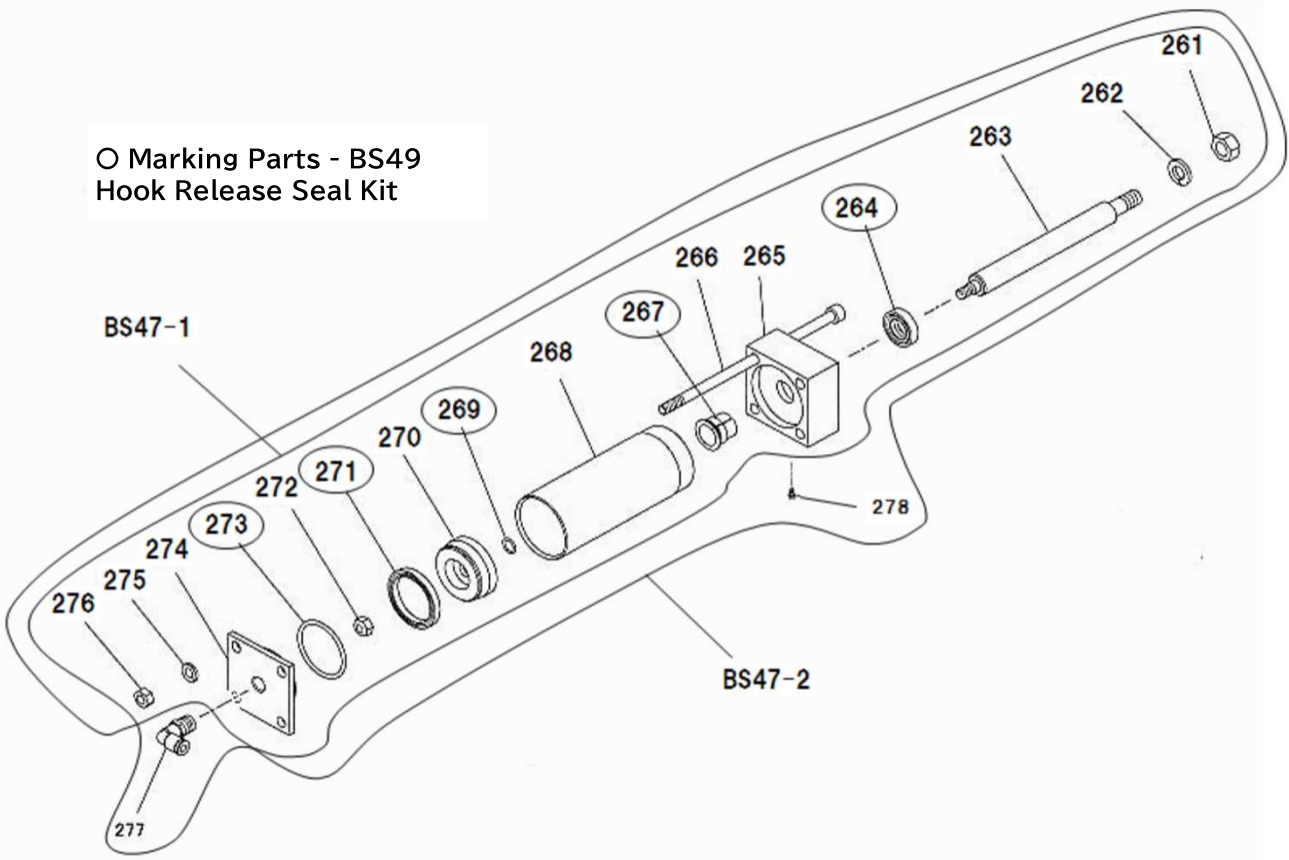


Pit Cover (Hyd. Unit Buil-In Model)

Ill. No.	Parts No.	Parts Name	Standard	Change Date & Note	Qty/ Unit	Price/ea.
235-1	00467160	Slider		Before 1212001	2	
235-2	00467161	Slider		1012012~1805001	2	
235-3	00467162	Slider		After 1805002	2	
236-1	N/A	Bearing (6001ZZ)	Compatible with 236-2	Before 1305067	8	N/A
236-2	11536160	Slider Roller		After 1305068	8	
237	80803030	Dust Seal	SDR-30		2	
238	81630331	#80 Bushing	80B-3025		4	
239-1	N/A	Lifting and Lowering Guide	Replace by 45-1	Before 1212001	2	N/A
239-2	N/A	Lifting and Lowering Guide	Replace by 45-2	1012012~1805001	2	N/A
239-3	N/A	Lifting and Lowering Guide	Replace by 45-3	1805002~1909093	2	N/A
239-4	N/A	Lifting and Lowering Guide	Replace by 45-4	After 1909094	2	N/A
240	N/A	Guide Roller	Replace by 46		4	N/A
241-1	N/A	#80 Bushing (80B1212)	Compatible with 241-2	Before 1304019	4	N/A
241-2	81771212	Drymet LF Bushing	LFB-1212	After 1304020	4	
242-1	00467180	Pit Cover Lower L		Before 1511027	1	
242-2	00467181	Pit Cover Lower L		1511028~1805001	1	
242-3	N/A	Pit Cover Lower L	Replace by BS12	After 1805002	1	N/A
243-1	11534660	Pit Cover Collar	L=14.5	Before 1511027	4	
243-2	11534661	Pit Cover Collar	L=15	After 1511028	4	
244	90891015	Hex Bolt with Washer	HBS1015SE		8	
245	90920830	Hex Socket Head Cap Bolt	HSB0830 Qty was changed after 1202002		4→8	
			HSB0830 Qty was changed after 1511028		8→4	
246	90930108	Hex Nut	HNO8SE Qty was changed after 1202002		4→8	
			HNO8SE Qty was changed after 1511028		8→4	
247-1	00467360	Pit Cover Lower R		Before 1511027	1	
247-2	00467361	Pit Cover Lower R		1511028~1805001	1	
247-3	N/A	Pit Cover Lower R	Replace by BS13	After 1805002	1	N/A
248	90800430	Pan Head Screw	MSRS0430SE		2	
249	90800410	Pan Head Screw	MSRS0410SE		2	
256	90960626	Hex Socket Head Cap Screw	HSS0625	After 1202002	4	
257	90930106	Hex Nut	HNO6SE	After 1202002	8	
471	80820752	Limit Switch	AZD1004		1	

BS41	00467022	Pit Cover L Assy - Note : The below parts need to be replaced together				
BS42	00467342	Pit Cover R Assy - Note : The below parts need to be replaced together				
		No. 174-2(Arm Washer) and 343(Air Hose)		Before 1202001		
		No. 174-2(Arm Washer)		1202002~1212001		
		Only Pit Cover (L, R)		After 1212002		
BS43	00467940	Sub Link Assy		1202002~1511027	2	
250	00467960	Sub Link		1202002~1511027	2	
252	11534640	Pit Cover End Pin	12R-164	1202002~1511027	2	
253	11536000	Sub Link Fulcrum Pin	12R-164	1202002~1511027	2	
254	81512141	#80 Flange Bushiung	80F-1210	1202002~1511027	8	
255	90654168	Snap Pin	Nominal 8mm	1202002~1511027	4	
BS14	00467970	Pit Cover Upper Assy		After 1805002	2	
221-3	N/A	Pit Cover Upper	Replace by BS14	After 1805002	2	N/A
281	11536010	Beam Handle	BSC3200KUV	After 1805002	2	
282	11536030	Beam Handle Fixing Seat	BSC3200KUV	After 1805002	2	
283	90930799	Washer	6X22X1.5 Stainless	After 1805002	4	
284	90932712	Hex U Nut	HUN06SE	After 1805002	4	

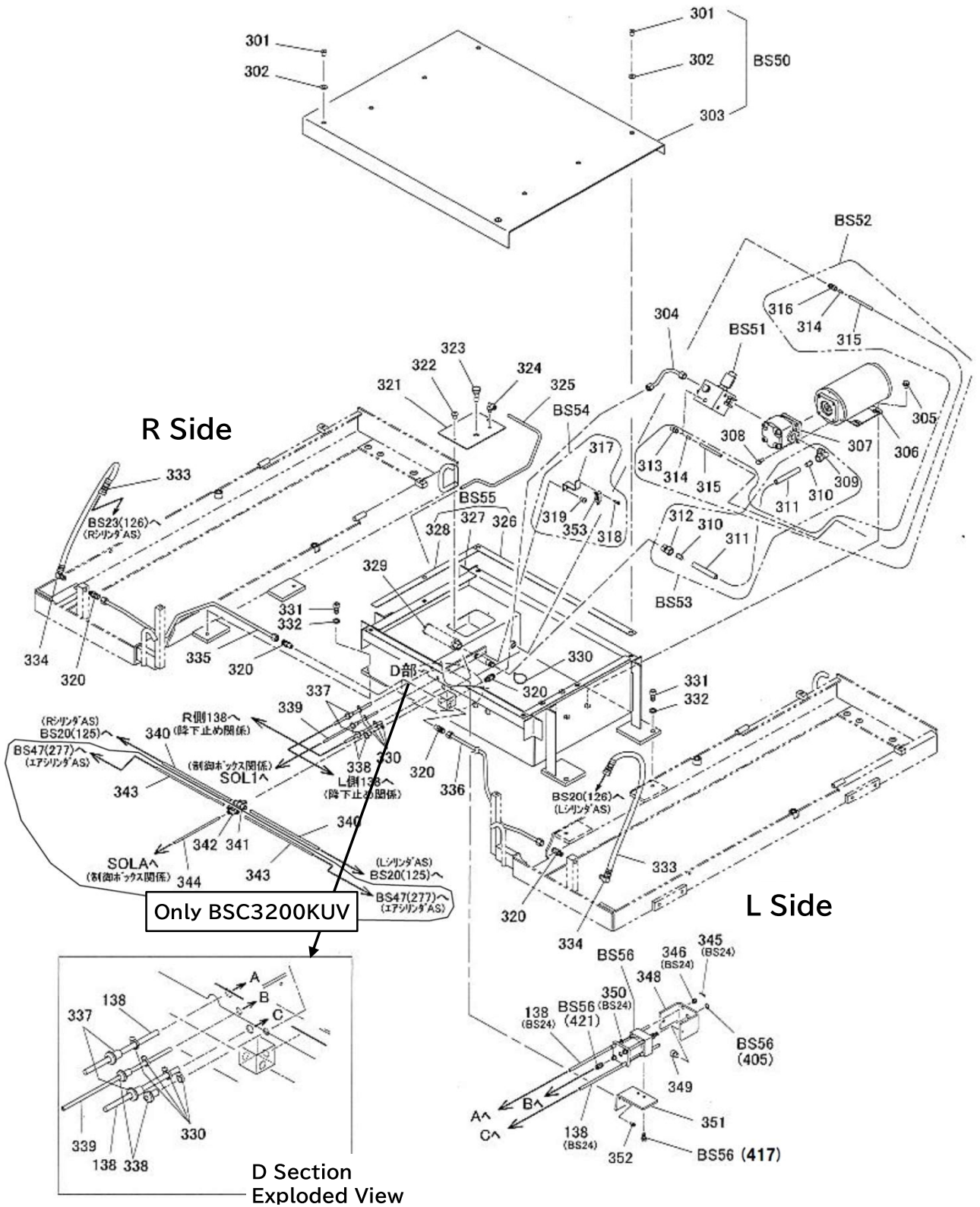
Air Cylinder for Arm Lifting and Lowering (BSC3200KU & KUV)



Air Cylinder for Arm Lifting & Lowering (Hyd. Unit Bul-In Model)

Ill. No.	Parts No.	Parts Name	Standard	Change Date & Note	Qty/ Unit	Price/ea.
BS47-1	00467260	Air Cylinder Assy	(261~277)	Before 1212001	2	
BS47-2	00467261	Air Cylinder Assy	(261~278)	1012012~1805001	2	
BS47-3	00467262	Air Cylinder Assy	(261~277)	After 1805002	2	
BS49	00467920	Air Cylinder Seal Kit	(264 · 267 · 269 · 271 · 273)		2	
261	90930112	Hex Nut	HN12SE		2	
262	90930512	Spring Washer	SW12SE		2	
263-1	11535320	Piston Rod A		Before 1805001	2	
263-2	11535321	Piston Rod	BSC3200KUV	After 1805002	2	
264	52003633	Dust Seal	RSD18		2	
265-1	N/A	Cylinder Cover B	Compatible with 265-2	Before 1212001	2	N/A
265-2	11157480	Cylinder Cover B		After 1212002	2	
266-1	90926898	Hex Socket Head Cap Bolt	HSB08180	Before 1805001	8	
266-2	90920920	Hex Socket Head Cap Bolt	HSB08200	After 1805002	8	
267	80805018	Sleeve	WRB-18		2	
268-1	11157500	Cylinder		Before 1212001	2	
268-2	11157501	Cylinder		1012012~1805001	2	
268-3	11157502	Cylinder		After 1805002	2	
269	80800008	O Ring	P10		2	
270	11535340	Air Piston			2	
271	80802540	U Packing	GLY-40		2	
272	90932708	Hex U Nut	HUN08SE		2	
273	80800044	O Ring	P44		2	
274	11535360	Cylinder Cover A			2	
275	90930508	Spring Washer	SW08SE		8	
276	90930108	Hex Nut	HN08SE		8	
277	80817226	Elbow Union	ZL-062		2	
278	90920408	Hex Socket Head Cap Bolt	HSB0408	After 1212002	2	

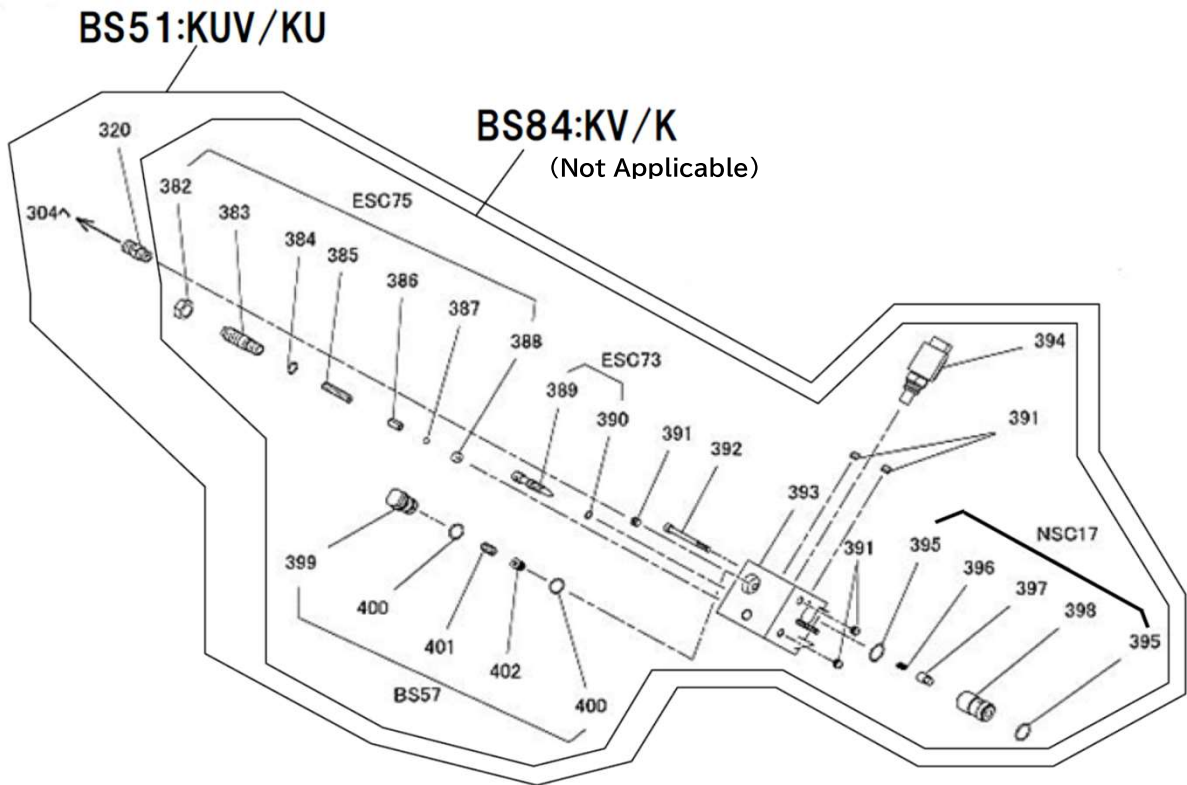
Buit-In Hyd. Unit (BSC3200KU & KUV)



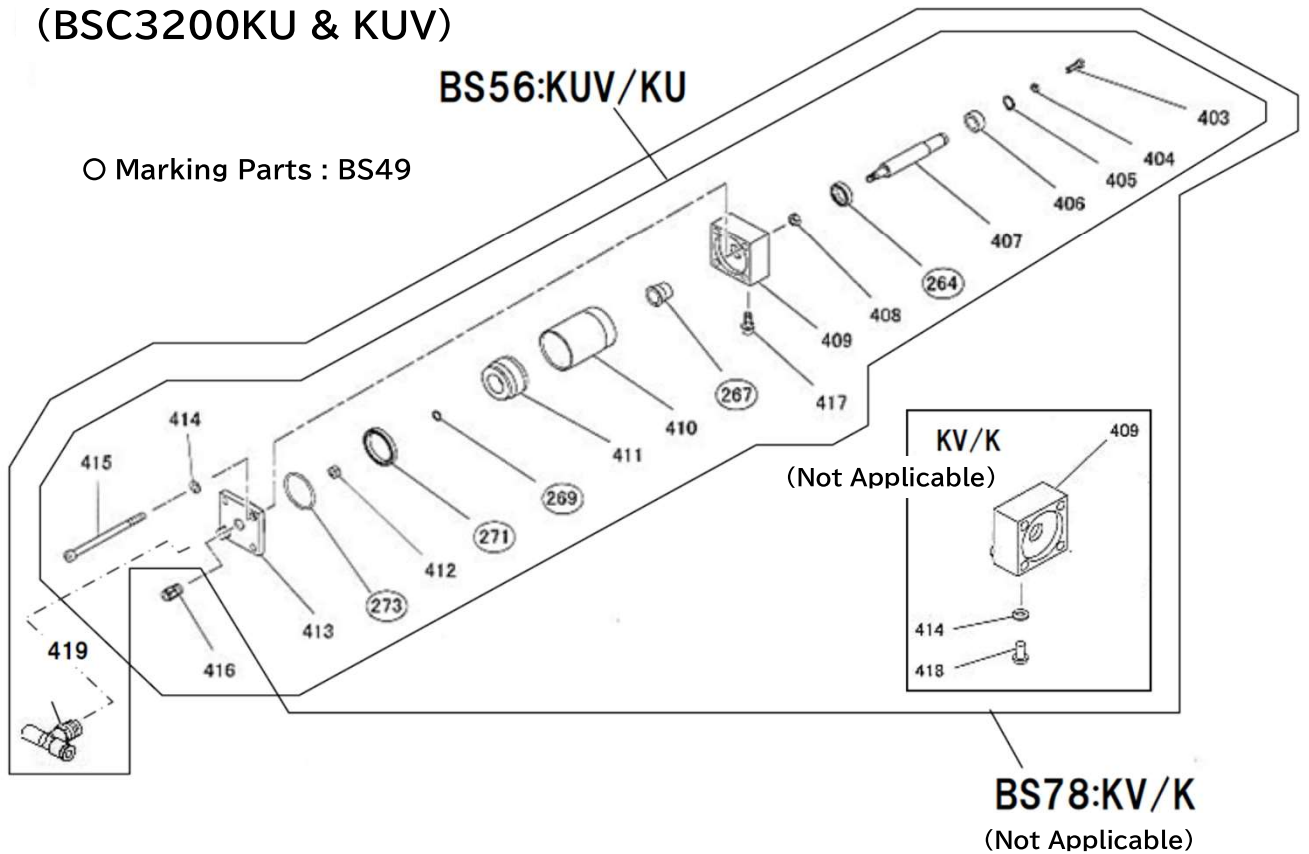
Built-In Hyd. Unit

Ill. No.	Parts No.	Parts Name	Standard	Change Date & Note	Qty/Unit		Price/ea.
					KUV	KU	
BS50	00467560	Unit Cover Assy	(301~303)		1	1	
BS51	00466520	Sub Plate Assy	(320・382~402)		1	1	
BS52	00466660	Oil Return Tube Assy	(313~316)		1	1	
BS53	00466680	Oil Feeding Pipe Assy	(309~312)		1	1	
BS54	00466640	LS Fixing Base Assy	(317~319)		1	1	
BS55	00466500	Unit Case Assy (326~328)		Before 1408072	1	1	
				Replace by 327-2 After 1408073			
BS56	00466560	Hook Release Cylinder Assy	(264・267・269・271・273・403~417)		1	1	
138	00161040	S. Control Cable Assy			2	N/A	
301	11365400	Pit Cover Fixing Bolt			8	8	
302	51313100	Pit Cover Fixing Washer			8	8	
303	00467820	Unit Cover			1	1	
304	00466700	Hyd. Pipe C Assy	With Sleeve & Nut		1	1	
305	90790612	Hex Bolt with Washer	HBPS0612SE		4	4	
306	80820140	Motor (2.2 KW/200V)	TO-K5		1	1	
	80820145	Motor (2.2 KW/380V)	TO-K5		1	1	
307	80818021	Gear Pump	GPEON2-L1-A40L		1	1	
308	90890820	Hex Bolt with Washer	HBS0820SE		4	4	
309	80817335	Elbow Union	ML-2154S		1	1	
310	80817615	Insert Ring	INS-F15		2	2	
311	11119660	Oil Feeding Pipe	F1515-550 (Black)		1	1	
312	80817340	Female Union	MP-5153		1	1	
313	80817332	Elbow Union	ML-2082S		1	1	
314	80817658	Insert Ring	INS-A08		2	2	
315	11366180	Oil Return Tube A	F1508-800 (Black)		1	1	
316	80817307	Half Union	MH-1082S		1	1	
317	11535880	LS Fixing Base			1	1	
318	90800315	Pan Head Screw	MSRS0315SE		2	2	
319	90800408	Pan Head Screw	MSRS0408SE		2	2	
320	80814910	Connector	HS-S-10X1/4		5	5	
321	11363160	Tank Cover			1	1	
322	90750508	Pan Head Screw	MSRP0508SE		2	2	
323	00121160	Level Bar Assy			1	1	
324	80817228	Elbow Union	ZL-081		1	1	
325	11535820	Overflow Tube B	F1508-560 (Black)		1	1	
326	1152920	Unit Case Packing A		Before 1408072	2	2	
327-1	00467780	Unit Case		Before 1408072	1	1	
327-2	00467782	Unit Case		After 1408073	1	1	
328	51313421	Unit Case Packing B		Before 1408072	2	2	
329	80818934	Strainer	YMD-30315		1	1	
330	80825291	Vynil Fastener	CV-150		22	22	
331	90921225	Hex Socket Head Cap Bolt	HSB1225		4	4	
332	90930512	Spring Washer	SW12SE		4	4	
333	11534280	Hyd. Hose A	S1B280-6-600mm	(with 334)	2	2	
334	80812970	Adaptor	NO14 (PF1/4XPT1/4)		2	2	
335-1	00466720	Hyd. Pipe R Assy		Before 1408072	1	1	
335-2	00466721	Hyd. Pipe R Assy		After 1408073	1	1	
336-1	00466740	Hyd. Pipe L Assy		Before 1408072	1	1	
336-2	00466741	Hyd. Pipe L Assy		After 1408073	1	1	
337-1	80821876	Q Bushing	B-2	Before 1304019	4	4	
337-2	80821670	One Touch Bushing	GB-1116	After 1408073	4	4	
338-1	80821875	Q Bushing	B-1	Before 1304019	2	2	
338-2	80821650	One Touch Bushing	GB-0813	After 1408073	2	2	
339	11047860	Air Tube A	F1506-1000 (Black)		1	1	
340	11534300	Overflow Tube A	F1508-1650 (White)		2	2	
341	80817463	T Union	ZT-080		1	N/A	
342	80817462	T Union	ZT-060		1	N/A	
343	11535780	Air Hose A	F1506-2200 (Blue)		2	N/A	
344	11484800	Air Hose A	F1506-10000 (Blue)		1	N/A	
345	90972021	Cotter Pin	SP0220SE		2	2	
346	90932108	Hex Nut	CN08SE		2	2	
348	11361740	Cable Bracket			1	1	
349	90920606	Hex Socket Head Cap Bolt	HSB0606		2	2	
350	80847010	E Shape Snap Ring	E7		2	2	
351	11535800	Valve Fixing Seat			1	1	
352	90770612	Hex Bolt with Washer	HBS0612SE		2	2	
353	N/A	Micro Switch (D2VW-5L3-1M)	Replace by 464 (P23-KUV),	Replace by 476 (P25-KU)	1	1	N/A

Sub Plate Assy (BSC3200KU & KUV)



Hook Release Cylinder Assy (BSC3200KU & KUV)



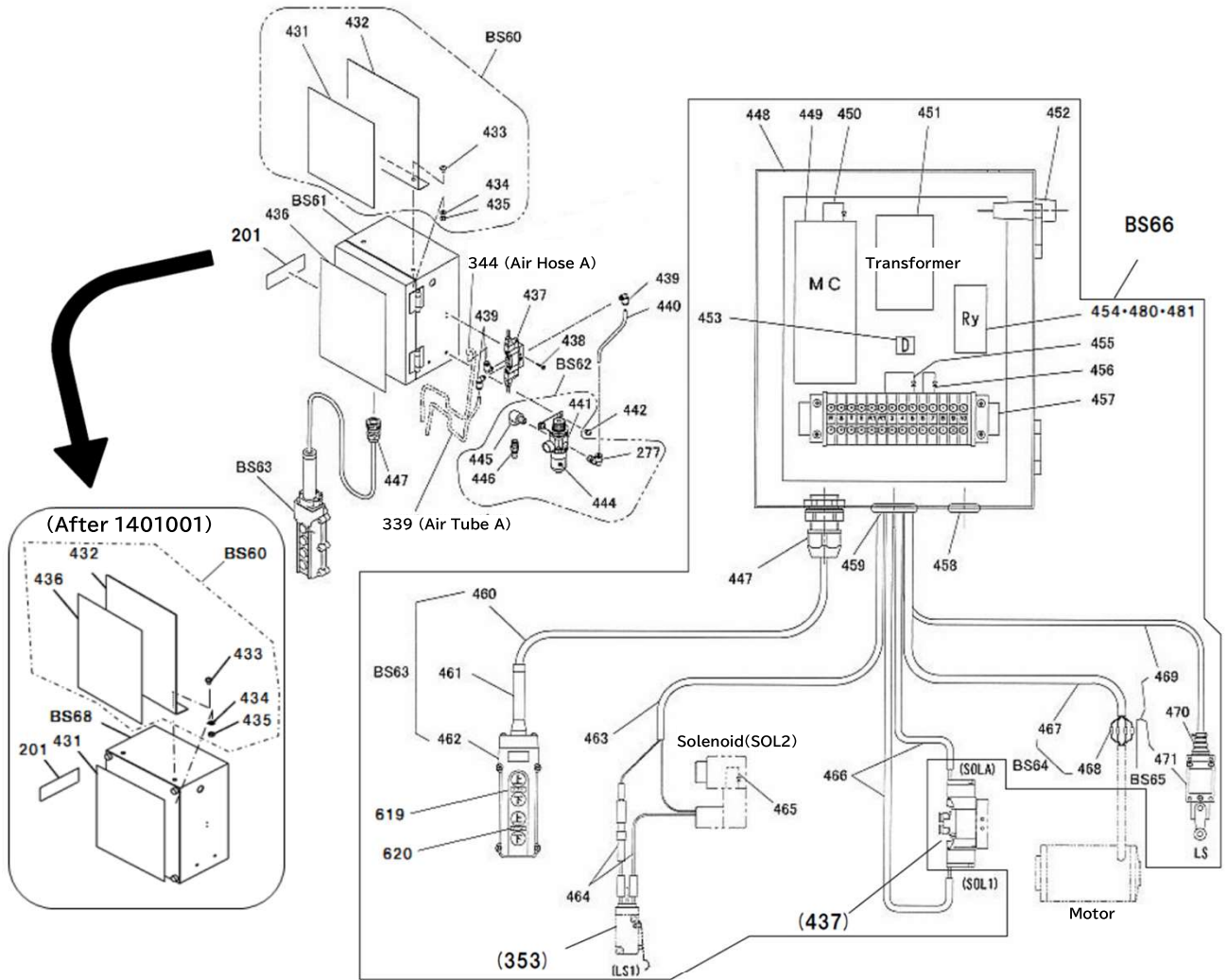
Sub Plate Assy & Hook Release Cylinder Assy (Hyd. Unit Bul-In Model)

Ill. No.	Parts No.	Parts Name	Standard	Change Date & Note	Qty/ Unit	Price/ea.
BS51	00466520	Sub Plate Assy	(320・382~402)		1	
BS57	00466540	Flow Control Assy	(399~402)		1	
ESC73	00434620	Lowering Valve Assy	(389・390)		1	
ESC75	00434660	Relief Valve S Assy	(382~388)		1	
NSC17	75026570	Check Valve Assy	(395~398)		1	
320	80814910	Connector	HS-S-10X1/4		1	
382	90931140	Hex Nut	HN16(3)SE		1	
383	11500790	Relief Screw			1	
384	80800012	O Ring	P12		1	
385	50562451	Relief Spring			1	
386	11531000	Relief Spool Housing			1	
387	80843022	Steel Ball	9/32A		1	
388	11529780	Relief Spool			1	
389	11501220	Lowering Valve			1	
390	80800506	O Ring	P8-1B		1	
391	80850011	Hex Socket Head Plug	HSP1/8		5	
392	90920665	Hex Socket Head Cap Bolt	HSB0665		4	
393	11363420	Sub Plate			1	
394	80818568	Electro Check Valve	7789671A20550C2		1	
395	80800518	O Ring	P20-1B		1	
396	11363450	Check Spring			1	
397	11363440	Check Valve			1	
398	11363430	Check Valve Case			1	
399	11501320	Flow Control Housing			1	
400	80800516	O Ring	P16-1B		2	
401	11788360	Flow Control Spring			1	
402	12170200	Flow Control Spool			1	
BS56	00466560	Hook Release Cylinder Assy	(264・267・269・271・273・403~417)		1	
BS49	00467900	Hook Release Seal Kit Assy	(264・267・269・271・273)		1	
264	52003633	Dust Seal	RSD18		1	
267	80805018	Sleeve	WRB-18		1	
269	80800008	O Ring	P10		1	
271	80802540	U Packing	GLY-40		1	
273	80800044	O Ring	P44		1	
403	90910620	Hex Bolt	HB0620SE		1	
404	90930306	Hex Nut	HN06(3)SE		1	
405	80845006	Snap Ring	RR015		1	
406	11362000	Rod Collar			1	
407	11504020	Hook Release Rod			1	
408	90930108	Hex Nut	HN08SE		2	
409	11361920	Hook Release Cylinder Cover B			1	
410	11501300	Cylinder			1	
411	11361981	Hook Release Cylinder Piston			1	
412	90932708	Hex U Nut	HUN08SE		1	
413	11361900	Hook Release Cylinder Cover A			1	
414	90930508	Spring Washer	SW08SE		2	
415	90928120	Hex Socket Head Cap Bolt	HSB08120		2	
416	80817206	Half Union	ZH-062		1	
417	90760820	Hex Socket Head Cap Bolt	HSBS0820		2	

Control Box (BSC3200KUV)

Note :

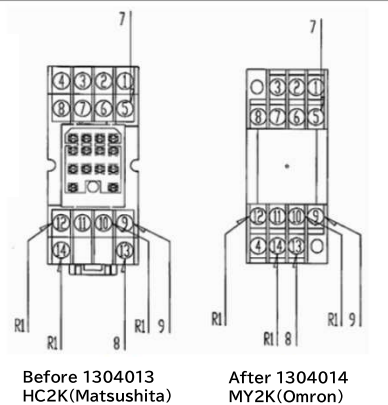
Ask Bishamon for Export Model Info. of Hyd. Unit and Electric Components. Serial No. Info. would be Required. Some parts Info. shown in this Parts List could be only for Japanese market.



※ RE : Replacing Latching Relay(454-2)

For the unit before Ser. 1304013, additional machining would be required for installation.

Refer to the right drawing for wiring connection.



Control Box (BSC3200KUV - Hyd. Unit Buil-In Model)

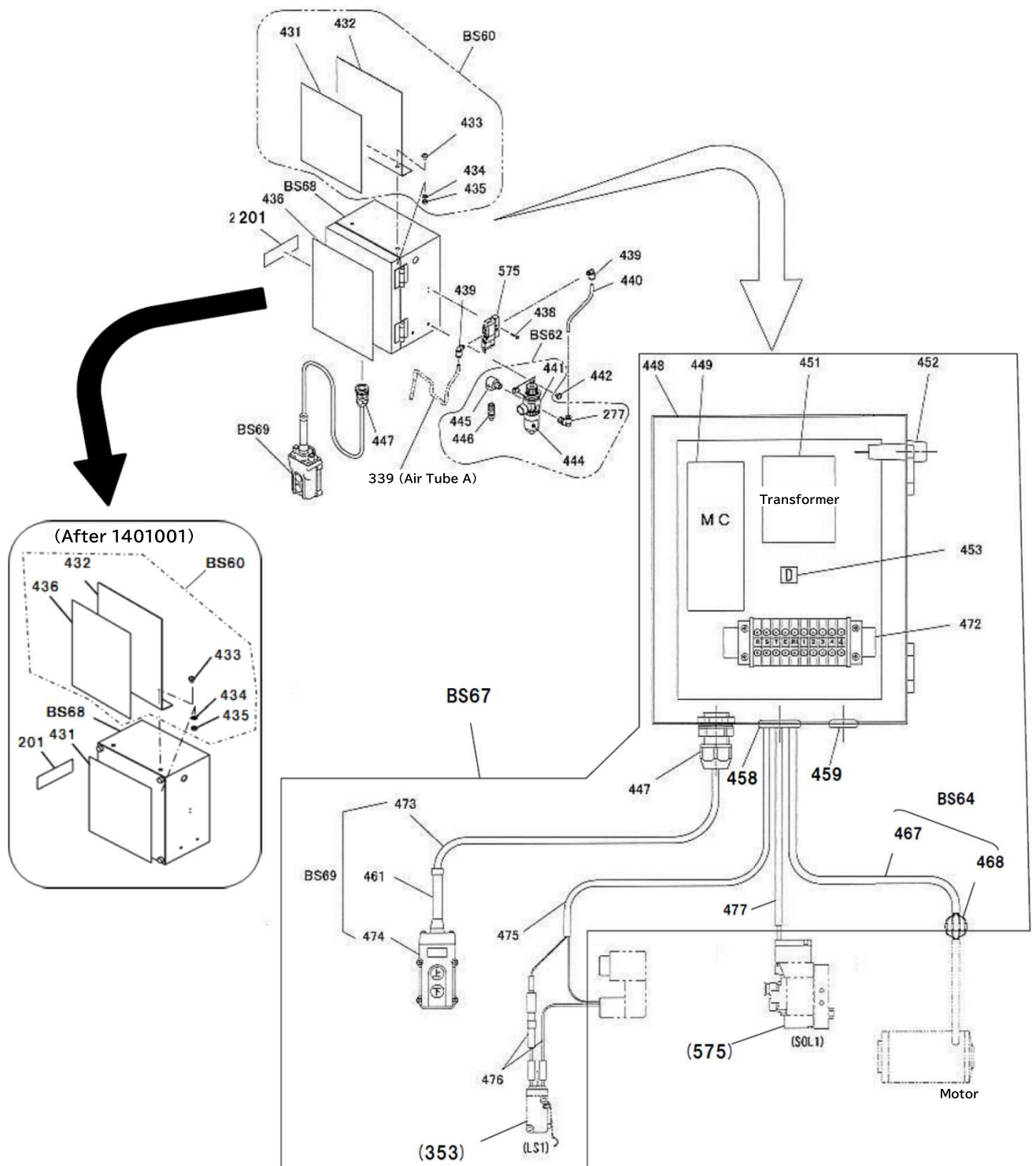
Note : Ask Bishamon for the info. of 380V/400V Electric Components. Below Info. Is for 200V Model.

Ill. No.	Parts No.	Parts Name	Standard	Change Date & Note	Qty/ Unit	Price/ea.
BS60-1	00466960	Caution Label Plate	(431~435)	Before Dec. 2013	1	
BS60-2	00466961	Caution Label Plate	(432~436)	After 1401001	1	
BS61-1	70466880	Control Box Assy (Replace by BS60-2+BS61-2)		Before Dec. 2013	1	
BS61-2	00466881	Control Box Assy (210・431・447~459・480-2・481)		After 1401001	1	
BS62	00466980	Air Filter Regulator Assy	(277・441・444~446)		1	
BS63	00466900	Puh Button Switch Assy	(460~462)		1	
BS64	00466940	Motor Cable Assy	(467・468)		1	
BS65	00466920	LS Cable Assy	(469~471)		1	
BS66-1	00466860	Wiring Assy (3PH/200V)	(BS61・460~471)	Before Dec. 2013	1	
BS66-2	00466861	Wiring Assy (3PH/200V)	(BS61・460~471)	After 1401001	1	
201	※	Serial Plate			1	N/A
277	80817226	Elbow Union	ZL-062		1	
339	11047860	Air Tube A	F1506-10000 Black		1	
344	11484800	Air Tube A	F1506-10000 Blue		1	
431	20000768	Caution Label B			1	
432	11400040	Caution Label Plate			1	
433	90750610	Pan Head Screw	MSRPO610SE		2	
434	90930506	Spring Washer	SW06SE		2	
435	90930106	Hex Nut	HN06SE		2	
436	20000765	Caution Label A			1	
437-1	N/A	Selex Valve (3GA1660-M5E003)	Replace by 437-2	Before 1605008	1	N/A
437-2	80821233	Selex Valve (3GA1660R-M5E003)	Replace together with 466	After 1605009	1	
438	90750320	Pan Head Screw	MSRPO320SE		2	
439	80817224	Elbow Union	ZL-065M		3	
440	11363491	Connecting Hose	F1506-150 Black		1	
441	75023600	Air Filter Regulator	B7019-2C-MB	with 444	1	
442	90780610	Pan Head Screw	MSRPS0610SE		2	
444	20001143	Caution Label E			1	
445	80810702	Male and Female Elbow	STE1/4SE		1	
446	80827504	Air Chucking Male	PT1/4		1	
447	80821781	Cable Connector	SK-12S		1	
448-1	51307922	Control Box		Before Dec. 2013	1	
448-2	51307923	Control Box		After 1401001	1	
449	20000754	Magnet Contactor	SW-0/GDC24V		1	
450	11534440	Diode	DIN60-5060		1	
451-1	80820813	Transformer	200/24V 15VA		1	
451-2	20000707	Transformer	380/415V		1	
452	80820482	Fuse Holder	F-40001A with Fuse		1	
453	80820598	Rectifier Stack	S5VB-60		1	
454-1	N/A	Latching Relay (HG2K-DC24V)	Replace by 454-2, 480-2, 481 -	Before 1304013	1	N/A
454-2	80820437	Latching Relay	MY2K-DC24V (Omron)	After 1304014	1	
455	11534460	Diode 2 Set	DIN60-5060		1	
456	11534480	Diode 3 Set	DIN60-5060		1	
457-1	80821298	Terminal Block	TS615-14P	Before 1805001	1	
457-2	80821300	Terminal Block	TS615-16P	After 1805002	1	
458	80821695	One Touch Bushing	TB-2533		1	
459	80657901	Rubber Bushing	GB-22		1	
460	11534520	Push Button Switch Cable Set	SCVTF0. 75SQ5C-10m		1	
461-1	N/A	Cable Bushing	C12	Before Oct. 2012	1	N/A
461-2	80821718	Cable Bushing	C8 Old and New Compatible		1	
462	80821459	Push Button Switch	COB62		1	
463	11534400	SOL2 Cable Set	VCTF0. 75SQ2C-10m		1	
464	11534420	LS1 Cable Assy	D2VW-5L3-1M	with 353	1	
465	11534500	Diode 4 Set	DIN60-5060		1	
466	11534380	SOL Cable Set	Replace together with 437-2		1	
467	11534560	Motor Cable Set	VCTF2SQX4C-10m		1	
468	98279900	Cable Clamp	OA-QM4		4	
469	11534540	LS Cable Set	SVCTF0. 75SQX2C-11. 3m		1	
470	80821716	Connector	OA-W16		1	
471	80820752	Limit Switch	AZD1004	with 470	1	
480-1	N/A	Relay Socket (HC4-SFD-K) Replace together with 454-2, 480-2, 481		Before 1304013	1	N/A
480-2	80820458	Socket	PYF14A	After 1304014	1	
481	80820457	Holder	PYC-A1	After 1304014	2	
619	11536120	"Lift" Name Label	"Lift"	After 1211059	1	
620	11536140	"Arm" Name Label	"Arm"	After 1211059	1	

Control Box (BSC3200KU)

Note :

Ask Bishamon for Export Model Info. of Hyd. Unit and Electric Components. Serial No. Info. would be Required. Some parts Info. shown in this Parts List could be only for Japanese market.

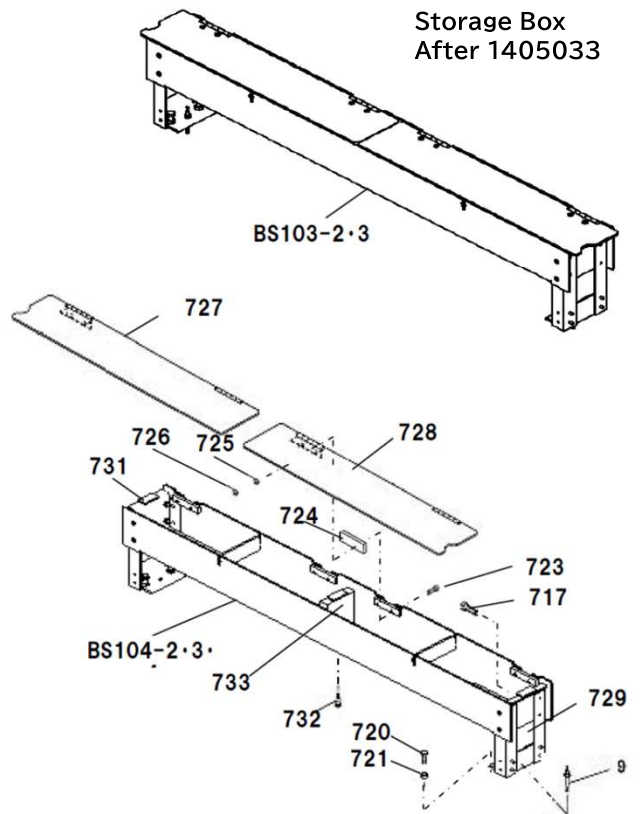
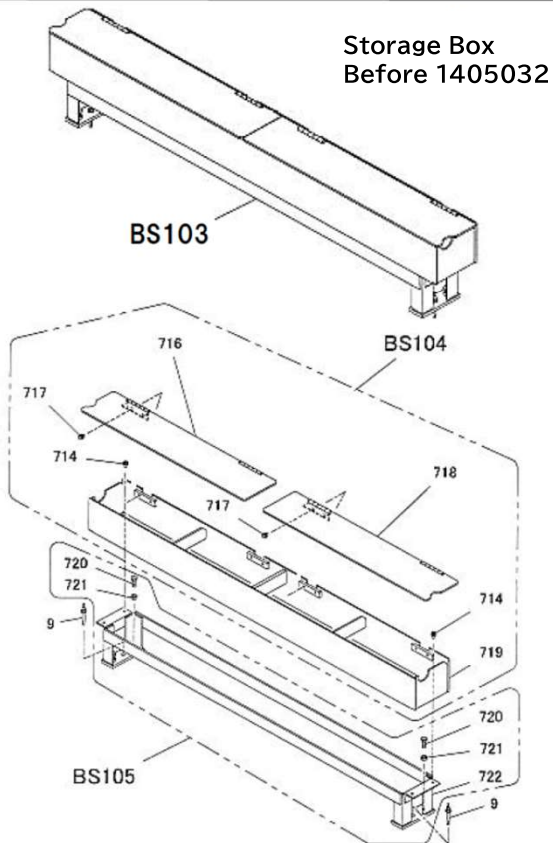
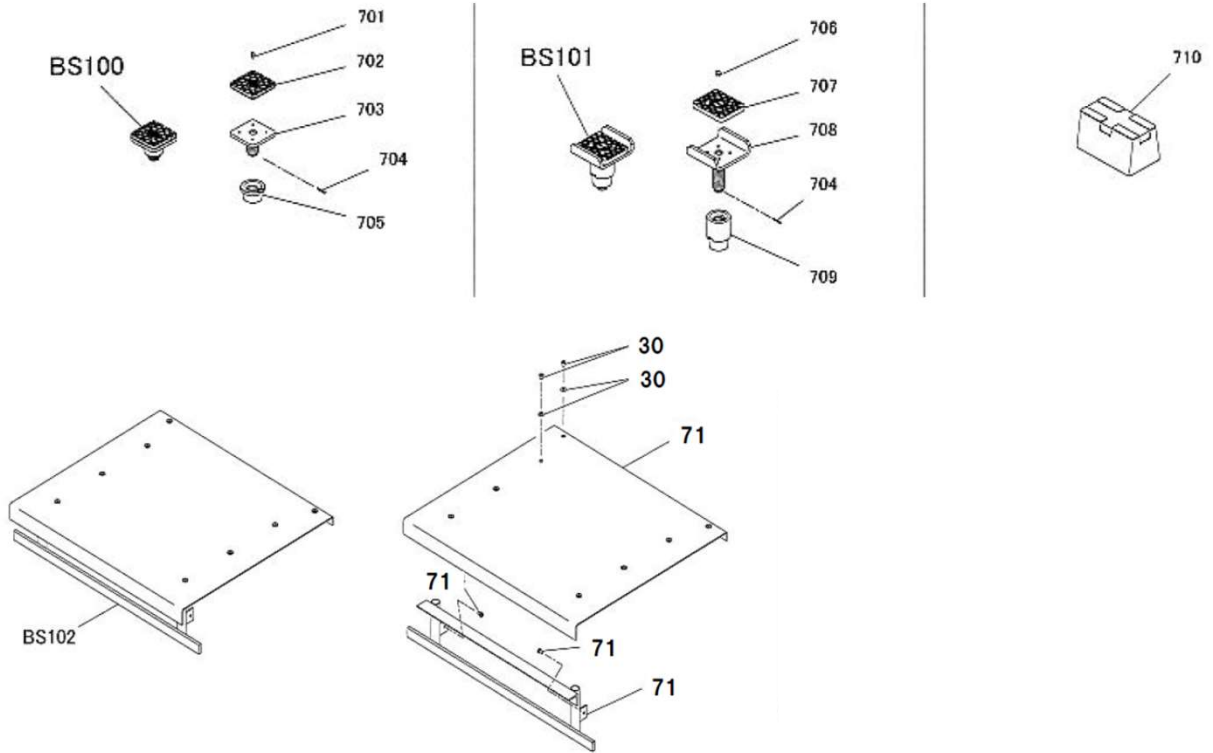


Control Box (BSC3200KU - Hyd. Unit Buil-In Model)

Note : Ask Bishamon for the info. of 380V/400V Electric Components. Below Info. Is for 200V Model.

Ill. No.	Parts No.	Parts Name	Standard	Change Date & Note	Qty/ Unit	Price/ea.
BS60-1	00466960	Caution Label Plate	(431~435)	Before Dec. 2013	1	
BS60-2	00466961	Caution Label Plate	(432~436)	After 1401001	1	
BS62	00466980	Air Filter Regulator Assy	(277 · 441 · 444~446)		1	
BS64	00466940	Motor Cable Assy	(467 · 468)		1	
BS67	00469680	Wiring Assy	(BS64 · BS68 · BS69 · 475~477)		1	
BS68-1	70469700	Control Box Assy	Replace by BS60-2 + BS68-2	Before Dec. 2013	1	
BS68-2	00469701	Control Box Assy (201 · 431 · 447~449 · 451~453 · 459 · 458 · 472)		After 1401001	1	
BS69	00469720	Push Button Switch Assy	(461 · 473 · 474)		1	
201	※	Serial Plate			1	N/A
277	80817226	Elbow Union	ZL-062		1	
431	20000768	Caution Label B			1	
432	11400040	Caution Label Plate			1	
433	90750610	Pan Head Screw	MSRP0610SE		2	
434	90930506	Spring Washer	SW06SE		2	
435	90930106	Hex Nut	HN06SE		2	
436	11534360	Caution Label A			1	
438	90750320	Pan Head Screw	MSRP0320SE		2	
439	80817224	Elbow Union	ZL-065M		3	
440	11363491	Connecting Hose	F1506-150 Black		1	
441	75023600	Air Filter Regulator	B7019-2C-MB	with 444	1	
442	90780610	Pan Head Screw	MSRPS0610SE		2	
444	20001143	Caution Label E			1	
445	80810702	Male and Female Elbow	STE1/4SE		1	
446	80827504	Air Chucking Male	PT1/4		1	
447	80821781	Cable Connector	SK-12S		1	
448-1	51307922	Control Box		Before Dec. 2013	1	
448-2	51307923	Control Box		After 1401001	1	
449	20000754	Magnet Contactor	SW-0/GDC24V		1	
451-1	80820813	Transformer	200/24V 15VA		1	
451-2	20000707	Transformer	380/415V		1	
452	80820482	Fuse Holder	F-40001A with Fuse		1	
453	80820598	Rectifier Stack	S5VB-60		1	
458	80821695	One Touch Bushing	TB-2533		1	
459	80657901	Rubber Bushing	GB-22		1	
461-1	N/A	Cable Bushing	C12	Before Oct. 2012	1	N/A
461-2-2	80821707	Cable Bushing	C7 New and Old Compatible		1	
467	11534560	Motor Cable Set	VCTF2SQX4C-10m		1	
468	98279900	Cable Clamp	OA-QM4		4	
472	80821299	Terminal Block	TS615-10P		1	
473	11538080	Push Button Switch Cable Set	SCVTF0. 75SQX3C-10m		1	
474	80820928	Push Button	COB61		1	
475	11538040	SOL2 Cable Set	VCTF0. 75SQX2C-10m		1	
476	11538060	LS1 Cable Set	D2VW-5L3-1M	with 353	1	
477	11538020	SOL1 Cable Set	Replace together with 575-2		1	
575-1	N/A	Selex Valve (3GA110-M5-3)	Replace by 575-2	Before 1605008	1	N/A
575-2	80821219	Selex Valve (3GA110R-M5-3)	Replace together with 477	After 1605009	1	

Option



Option (BSC3200KUV, KU)

Ill. No.	Parts No.	Parts Name	Standard	Change Date & Note	Qty/Unit		Price/ea.
					KUV	KU	
BS100	00465000	Adjustable Supporter SS Assy	(701~705)		4	N/A	
701	90940612	Pan Head Screw	MSR0612SE		16	N/A	
702	50606151	Supporter Pad			4	N/A	
703	00465020	Adjustable Supporter SS			4	N/A	
704	90980430	Roll Pin	SRP0430		4	N/A	
705	11314980	Adjustable Nut S			4	N/A	
BS101	00467840	Adjustable Supporter MA Assy	(704・706~709)		4	N/A	
704	90980430	Roll Pin	SRP0430		4	N/A	
706	90940810	Pan Head Screw	MSR0810SE		16	N/A	
707	50564212	Supporter Pad (40X45)			4	N/A	
708	00100031	Adjustable Supporter LA			4	N/A	
709	11535960	Adjustable Nut M			4	N/A	
710	51307161	High Side Sill Block			4	4	
BS102-1	00467720	NSC Unit Cover Assy	(301・302・713~715)	Before 1408072	1	1	
BS102-2	00467721	NSC Unit Cover Assy	(301・302・713~715)	After 1408073	1	1	
301	11365400	Pit Cover Fixing Bolt			8	8	
302	51313100	Pit Cover Fixing Washer			8	8	
713	00467740	NSC Unit Cover			1	1	
714-1	90770815	Hex Bolt with Washer	HBS0815SE	Before 1408072	2	2	
714-2	90780818	Hex Bolt with Washer	HBS0818SE	After 1408073	2	2	
715-1	00467760	Cover Support		Before 1408072	1	1	
715-2	00467761	Cover Support		After 1408073	1	1	
BS103-1	N/A	Storage Assy(BS104-1・BS105・9)	Replace by BS103-3	Before 1405032	2	N/A	N/A
BS103-2	N/A	Storage Assy(9・717・720・721・723~729・731~733) Replace by BS103-3		1405033~1804023	2	N/A	N/A
BS103-3	00467381	Storage Assy	(BS104-4・9-2・725~728)	After 1804024	2	N/A	
BS104-1	N/A	Storage Box Assy(714・716~719)	Replace by BS103-3	Before 1405032	2	N/A	N/A
BS104-2	N/A	Storage Box Assy	Replace by BS103-3	1405033~1804023	2	N/A	N/A
BS104-3	N/A	Storage Box Assy	Replace by BS103-3	1804024~1805001	2	N/A	N/A
BS104-4	N/A	Storage Box Assy	Replace by BS103-3	After 1805002	2	N/A	N/A
BS105	N/A	Box Support Assy(720~722)	Replace by BS103-3	Before 1405032	2	N/A	N/A
9-1	91010870	Anchor Bolt	AAC-0870	Before 1805001	4	N/A	
9-2	91011290	Anchor Bolt	AAC-1290	After 1805002	4	N/A	
714	90770815	Hex Bolt	HBS0815		8	N/A	
716	00467460	Storage Box Cover R		Before 1405032	2	N/A	
717	90890812	Hex Bolt	HBS0812SE		16	N/A	
718	00467500	Storage Box Cover L		Before 1405032	2	N/A	
719	N/A	Storage Box	Replace by BS103-2	Before 1405032	2	N/A	N/A
720	90911030	Hex Bolt	HB1030SE		8	N/A	
721	90930110	Hex Nut	HN10SE		8	N/A	
722	N/A	Box Support	Replace by BS103-2	Before 1405032	2	N/A	N/A
723	91000825	Hex Socket Head Cap Bolt	HSF0825SE	After 1405033	16	N/A	
724	11156261	Spacer		After 1405033	8	N/A	
725	90930508	Spring Washer	SW08SE	After 1405033	16	N/A	
726	90930308	Hex Nut	HN08(3)SE	After 1405033	16	N/A	
727	00467461	Storage Box Cover R Assy		After 1405033	2	N/A	
728	00467501	Storage Box Cover L Assy		After 1405033	2	N/A	
729-1	11536360	Maintenance Cover		1405033~1804023	4	N/A	
729-2	11536361	Maintenance Cover		After 1804024	4	N/A	
731	11521400	Box Cover Rubber		After 1405033	6	N/A	
732	90790814	Hex Bolt	HBPS0815SE	After 1405033	4	N/A	
733	11156361	Storage Box Reinforcement B		After 1405033	2	N/A	

Bishamon



Sugiyasu Corporation

3-21, 4-Chome, Hongo-Cho, Takahama City,
Aichi, Japan 444-1394
Tel. 81-566-53-1126, Fax. 81-566-53-1844
<http://www.bishamon.co.jp/>